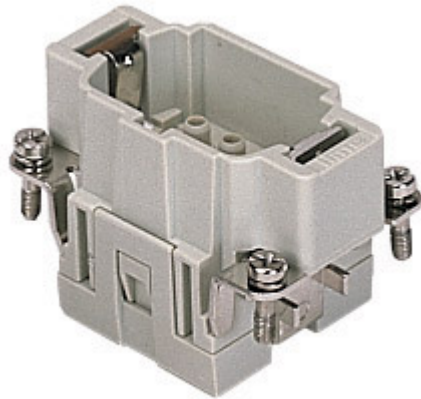


Part number

CCEM 06



Brief description:

male insert, 6 poles + PE, crimp connections, 16A, 500V, 6kV, 3, size "44.27", CLASS insert series

Product description		Approvals / Standards	
Model	male insert	Reference standard	EN 61984 (2001-11)
Version	crimp connections	Quality mark	, EAC
Series	CCE	Conformity	CQC, CE
Product type	for male contacts 16A	General ordering information	
Family	CLASS inserts	EAN13 code	8015747112642
Size	size "44.27"	Tariff number	85369095
N. of poles	6 poles +	Country of origin	Made in EU (IT)
Technical data		ETIM classification	EC000438
Current	16 A (A.C. and D.C.)	Packaging Information	
Voltage	500 V	Packaging length	210,00 mm
Rated impulse withstand voltage	6kV	Packaging height	130,00 mm
Pollution degree	3	Packaging width	240,00 mm
Operating temperature range (min, max)	-40°C ... +125°C	Packaging weight	2,75 kg
Mating cycles	≥ 500	Packaging volume	6,55 dm ³
IP degree of protection	IP20 without enclosure; IP65/IP66/IP67/IP68 with enclosure	Packaging description	Carton box
PE terminal stripping length	7 mm	Packaging quantity	60 Pcs
PE wire cross-section	0,14 - 4 mm ² ; AWG 20 - 12	Packaging EAN code	8015747112796
Further technical details		Sub-packaging weight	0,46 kg
Characteristics according to EN 61984	16A 500V 6kV 3; 16A 400/690V 6kV 2	Sub-packaging description	Carton
Insulation resistance	≥ 10 GΩ	Sub-packaging quantity	10 Pcs
Rated voltage according to UL/CSA	600V	Sub-packaging EAN barcode	8015747112802
UL 94 flammability rating	V-0		
Weight	46,00 g		

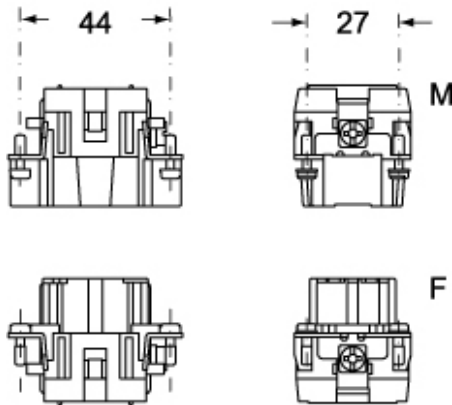
Part number

CCEM 06

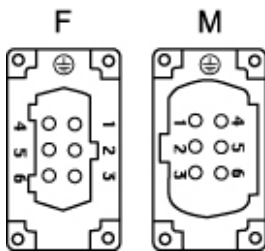


Catalogue drawings

CCEM 06

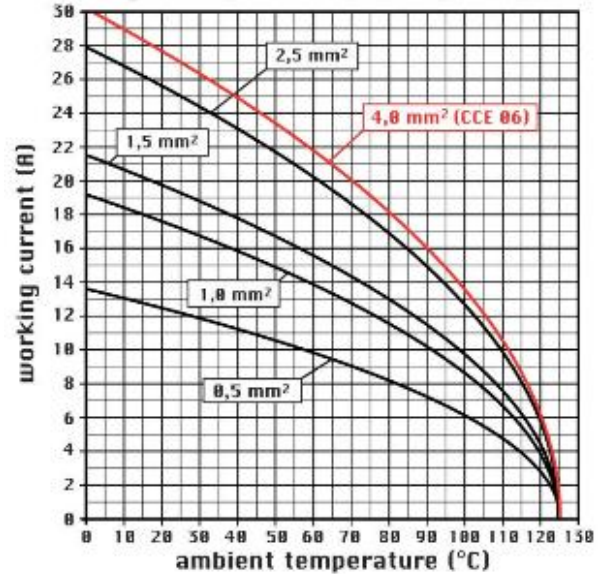


CCEF 06



Catalogue drawings

diagram CN, CNE and CCE 06 poles



Notes

CCEF/M 06 inserts:

- characteristics according to EN 61984:
(16A 500V 6kV 3)
(16A 400/690V 6kV 2)
- rated voltage according to UL/CSA: 600V
- insulation resistance: > 10 GOhm
- ambient temperature limit: -40 °C ... +125 °C
- are made of self-extinguishing thermoplastic resin UL 94 V0
- mechanical life: > 500 cycles
- contact resistance: < 1 mOhm
- enclosures: size "44.27":
C-TYPE IP65/IP66
C7 IP67 stainless steel lever
V-TYPE IP65/IP66
stainless steel lever
T-TYPE IP65 insulating
JEI zinc-plated steel lever
BIG hoods
W-TYPE aggressive environments.
EMC
central lever
IP68

- panel supports: page:
COB